

## Slim profile superior performance LED luminaires

The Solow XLED Opal offers a high efficiency low bay solution providing up to 33,450 lumens and an efficiency of up to 146 luminaire lumens per circuit watt. The uniformly illuminated opal surface is ideal for use in areas where it is preferable that individual LEDs are not visible. Extremely long life extends maintenance intervals. A low profile design, coupled with in built installation points, allows for fast installation.

SmartScan versions have a unique sensor that can be optimised for use up to 18 m, maintaining excellent occupancy detection. SmartScan versions are also wireless, eliminating the requirement for control cabling often associated with retro-fit installations.

Applications: general industrial areas, manufacturing, leisure centres, retail and commercial areas.

- Shallow design - unobtrusive
- Up to 33,450 lumen output
- Surface mounted or can be suspended with optional kit
- SmartScan wireless technology removes the need for control cabling. Ideal for retro-fit



IP20

Up to 146.1 LL/CW

SMARTSCAN

LUXGUARD

## Specification

Mounting	Surface	IP rating	IP20
Max presence detection height	18 m		

## Lighting

Optic	Opal diffuser	Lumen output	9,540 lm - 33,450 lm
Efficacy	Up to 146.1 LL/CW		

## Emergency data

Emergency lumen output	550 lm	Emergency type	Maintained
Emergency duration	3 hours	Battery specification	Nickel Metal Hydride (NiMH)

## Power

LED power	65 W - 215 W	Circuit power	68 W - 229 W
-----------	--------------	---------------	--------------

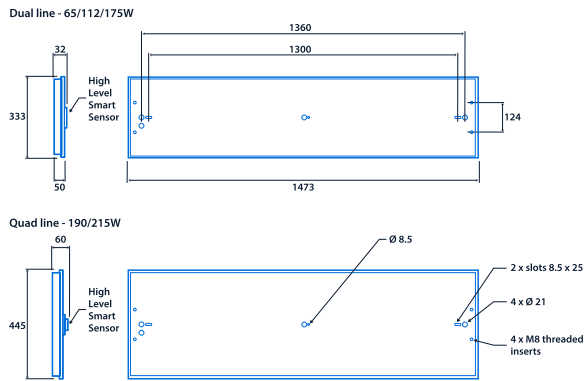
## LED characteristics

CRI	80+	Colour temperature	4000 K
Rated life (hours)	100 K - L70/B10		

## Compliance

UKCA	Yes	CE	Yes
Energy efficiency class	This product contains a light source of energy efficiency class B		

## Dimensions





**View the range**



Information is correct as of 20-Dec-2024, however must not be interpreted as a guarantee of individual product performance and/or characteristics. We reserve the right to alter specifications and designs without prior notice.