

High performance ligature-resistant luminaires suitable for external walkways and perimeter lighting

Stylish IP66 wall mounted anti-ligature luminaires. Strong high-pressure die-cast aluminium body with high efficiency polycarbonate refractor secured using tamper-resistant screws. Less than 2% upward light.

- Strong high-pressure die-cast LM2 aluminium body with high efficiency prismatic polycarbonate front cover
- Wide distribution or area distribution options
- Highly specular, multi-faceted injection moulded vacuum metallised reflector on wide distribution versions
- Excellent distribution with less than 2% upward light component
- T30 pin Torx tamper-resistant cover screws as standard
- 4000 or 5700 K options



IP66

IK11

Up to 127.6 LL/CW

Specification

Mounting	Surface	IP rating	IP66
Impact rating	IK11		

Lighting

Optic	Clear cover Prismatic cover	Lumen output	1,320 lm - 5,635 lm
Efficacy	Up to 127.6 LL/CW		

Emergency data

Emergency lumen output	365 lm - 385 lm	Emergency type	Maintained
Emergency duration	3 hours	Battery specification	Nickel Metal Hydride (NiMH)

Power

LED power	8 W - 42 W	Circuit power	11 W - 47 W
-----------	------------	---------------	-------------

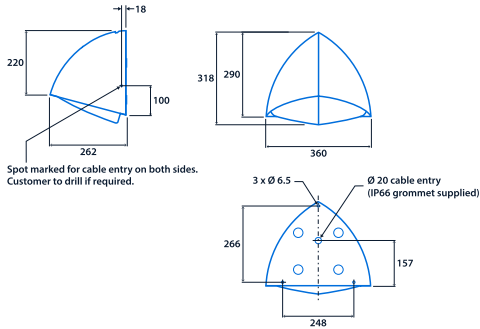
LED characteristics

CRI	70+ 80+	Colour temperature	4000 K 5700 K
Rated life (hours)	Up to 100 K - L90/B10		

Compliance

UKCA	Yes	CE	Yes
Energy efficiency class	<p>This product contains a light source of energy efficiency class A</p> <p>This product contains a light source of energy efficiency class C</p>		

Dimensions



View the range



Information is correct as of 20-Dec-2024, however must not be interpreted as a guarantee of individual product performance and/or characteristics. We reserve the right to alter specifications and designs without prior notice.