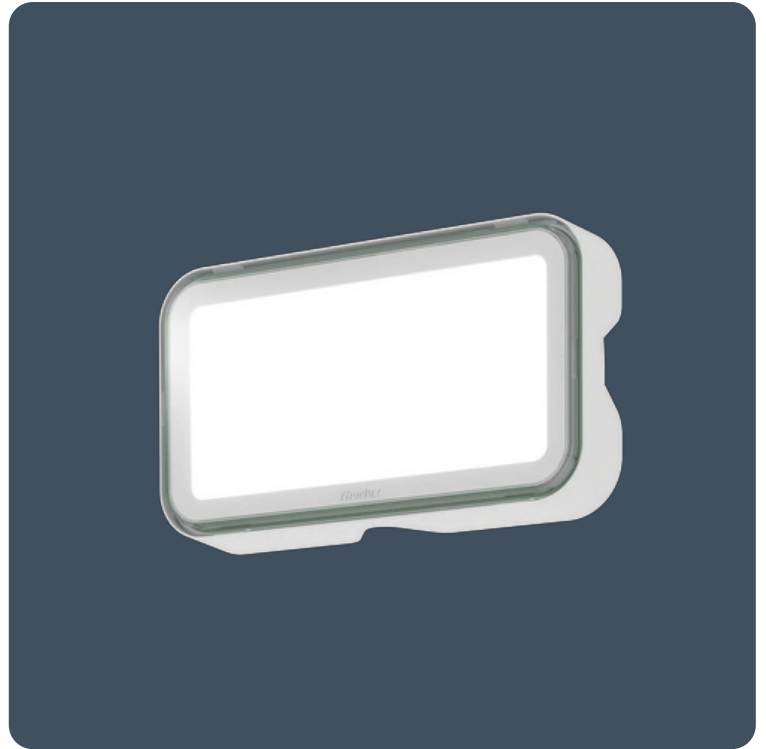


LED emergency luminaires with dedicated SmartScan wireless technology versions

Surface mounted LED emergency luminaires with optional self-adhesive exit sign legend kit. Optional downlighter LED array illuminates the exit doorway. Body will accept conduit wiring.

Applications: general use emergency lighting, walkways, car parks, factories, changing rooms, final exit door illumination / signage.

- Extremely long LED lifetime, up to 100,000 hours
- 21.8 m maximum viewing distance in accordance with BS EN 1838 when using legend kits
- Simple to install, full status reporting SmartScan wireless communication versions
- Integral downlight option for exit illumination
- Optional self-adhesive legend kit
- Status indicator shows operational condition
- Reliable Nickel Metal Hydride (NiMH) battery technology



IP65

IK10

Up to 78.3 LL/CW

SMARTSCAN

Specification

Mounting	Surface	IP rating	IP65
Impact rating	IK10		

Lighting

Lumen output	230 lm - 235 lm	Efficacy	Up to 78.3 LL/CW
--------------	-----------------	----------	------------------

Emergency data

Maximum viewing distance	22 m	Emergency type	Maintained (wire link may be removed to enable non-maintained operation)
Emergency duration	3 hours	Battery specification	Nickel Metal Hydride (NiMH)

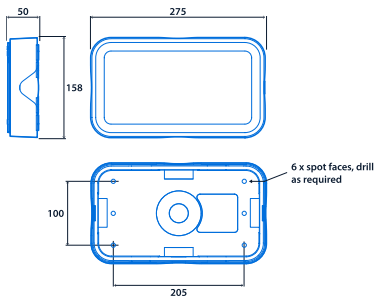
Power

LED power	2 W	Circuit power	3 W
-----------	-----	---------------	-----

Compliance

UKCA	Yes	CE	Yes
Ball impact resistance	DIN EN 18032 Part 3 and DIN VDE 0710 Part 13		

Dimensions



View the
range



Information is correct as of 20-Dec-2024, however must not be interpreted as a guarantee of individual product performance and/or characteristics. We reserve the right to alter specifications and designs without prior notice.