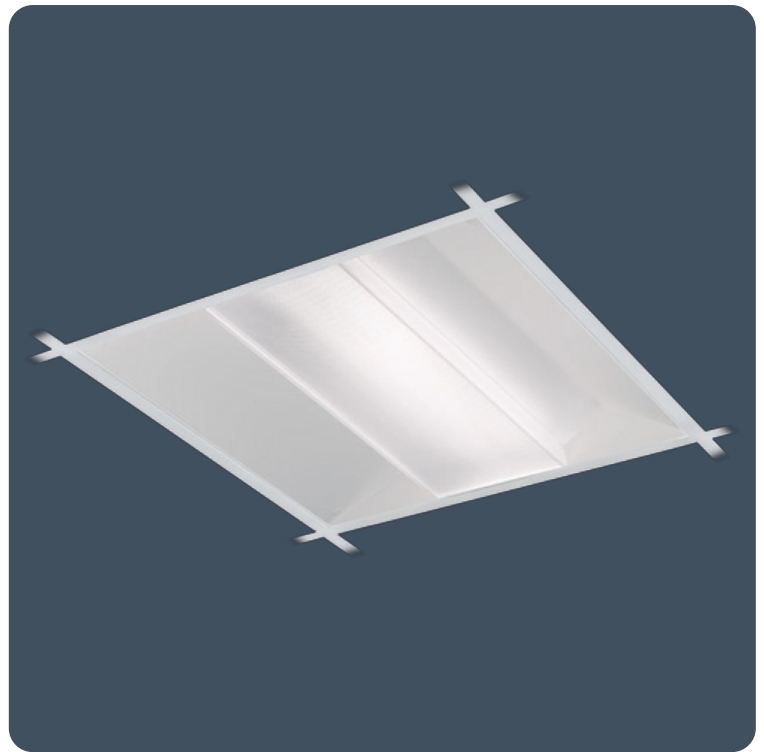


High performance recessed luminaires

The classic design of the Hi-Style offers both opal and low glare optic versions for EN12464-1/LG7 compliance providing excellent wall and vertical illumination. The Hi-Style is available in a range of wattages in both 600 x 600 mm and 1200 x 600 mm versions achieving efficiencies up to 150.0 LL/CW. The polycarbonate flame retardant TP(a) rated diffusers are designed to IP40 to exclude dust, dirt and flies.

Applications: Offices, healthcare, meeting rooms, call centres, school classrooms, libraries, control rooms, reception areas, lobbies, retail and circulation areas.

- Low glare optics for EN12464-1 / LG7 (<3000cd/m² @ 65°) or opal diffuser option
- Excellent wall and vertical illumination
- Balanced direct/indirect luminance control above 65°
- Suitable for most ceiling types; lay-in or pull up with optional side arm suspensions accessible from below
- Extruded side diffusers give vibrant yet low glare aesthetics
- Designed to exclude dust, dirt and flies
- SmartScan wireless technology removes the need for control cabling. Ideal for retro-fit



Notes: 500 x 500 mm and air-handling versions available to special order

IP40 (IP20 above ceiling)

Up to 150.4 LL/CW

SMARTSCAN

LUXGUARD

Specification

Mounting	Recessed	IP rating	IP40 (IP20 above ceiling)
Nominal size	600 x 600 mm 1200 x 600 mm	Max presence detection height	8 m

Lighting

Optic	Low glare diffuser Opal diffuser	Lumen output	2,560 lm - 9,495 lm
Efficacy	Up to 150.4 LL/CW		

Emergency data

Emergency lumen output	380 lm - 560 lm	Emergency type	Maintained
Emergency duration	3 hours	Battery specification	Nickel Metal Hydride (NiMH)

Power

LED power	16 W - 60 W	Circuit power	19 W - 67 W
-----------	--------------------	---------------	--------------------

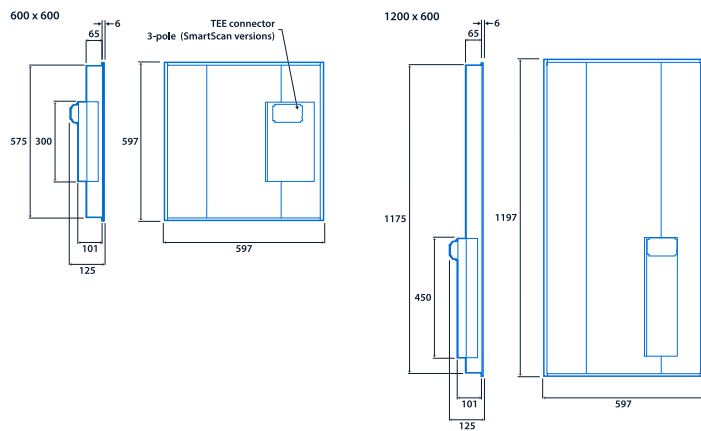
LED characteristics

CRI	80+	Colour temperature	4000 K
Rated life (hours)	100 K - L80/B10		

Compliance

UKCA	Yes	CE	Yes
Energy efficiency class	This product contains a light source of Thermoplastic rating energy efficiency class B		TP(a)

Dimensions



View the range



Information is correct as of 20-Dec-2024, however must not be interpreted as a guarantee of individual product performance and/or characteristics. We reserve the right to alter specifications and designs without prior notice.