

High performance LED high bay luminaires

The Comboseal Plus is a high efficiency, IP66, circular LED luminaire for high and low bay applications, designed to be used as a direct replacement for traditional single point suspended discharge luminaires up to 400 W.

The Comboseal Plus is available in 160 W and 250 W with broad distribution capable of producing up to 41,100 lumens of white light, with colour rendition greater than 80 CRI. SmartScan versions with integral PIR suitable for mounting up to 18 m.

Applications: Cold stores, general industrial areas, manufacturing, food processing, leisure centres, high level racking aisles, retail and commercial areas

- Strong high pressure die-cast aluminium body
- Clear flat toughened/safety glass cover
- Smooth wipe clean surfaces, no dust traps
- Integral high efficiency driver
- Extremely efficient and long system life up to 100,000 hours
- SmartScan wireless technology removes the need for control cabling. Ideal for retro-fit



Up to IP66

Up to 165.1 LL/CW

SMARTSCAN

LUXGUARD

Specification

| | | | |
|-------------------------------|-----------|-----------|------------|
| Mounting | Suspended | IP rating | Up to IP66 |
| Max presence detection height | 18 m | | |

Lighting

| | | | |
|----------|-------------------|--------------|-----------------------|
| Optic | Clear cover | Lumen output | 27,580 lm - 41,100 lm |
| Efficacy | Up to 165.1 LL/CW | | |

Power

| | | | |
|-----------|---------------|---------------|---------------|
| LED power | 160 W - 250 W | Circuit power | 167 W - 268 W |
|-----------|---------------|---------------|---------------|

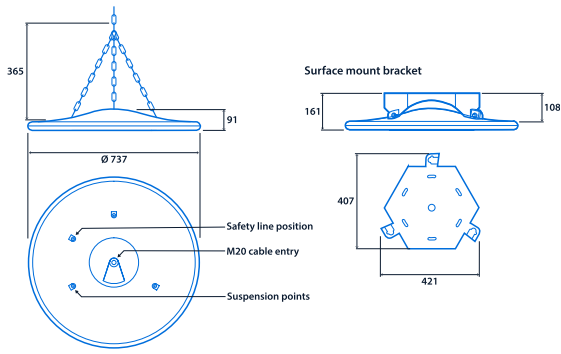
LED characteristics

| | | | |
|--------------------|-----------------|--------------------|--------|
| CRI | 80+ | Colour temperature | 4000 K |
| Rated life (hours) | 100 K - L70/B10 | | |

Compliance

| | | | |
|--------|-----|-------------------------|---|
| UKCA | Yes | CE | Yes |
| D Mark | Yes | Energy efficiency class | This product contains a light source of energy efficiency class B |

Dimensions



View the
range



Information is correct as of 20-Dec-2024, however must not be interpreted as a guarantee of individual product performance and/or characteristics. We reserve the right to alter specifications and designs without prior notice.