

Ligature-resistant luminaires

Circular wall or ceiling mounted extremely impact-resistant LED luminaires for internal or external use. Strong spun steel body and 5 mm thick flame-retardant polycarbonate cover. SmartScan Radar, integral nightlight and maintained emergency versions available.

Applications: Mental healthcare, custodial, internal car parks and associated walkways and staircases.

- Ligature-resistant design
- Anti-pick sealant can be used to seal the body whilst still allowing the cover to be removed for maintenance
- Tamper-resistant T25 pin Torx screw fixings
- Integral night light option
- SmartScan wireless technology removes the need for control cabling. Ideal for retro-fit

Notes: Finished white (RAL 9010) as standard. Other colour options are available to special order.



IP66

IK11

Up to 108.2 LL/CW

SMARTSCAN

LUXGUARD

Specification

Mounting	Surface	IP rating	IP66
Impact rating	IK11	Max presence detection height	4 m

Lighting

Lumen output	2,555 lm - 3,565 lm	Efficacy	Up to 108.2 LL/CW
--------------	---------------------	----------	-------------------

Emergency data

Emergency lumen output	345 lm - 365 lm	Emergency type	Maintained
Emergency duration	3 hours	Battery specification	Nickel Metal Hydride (NiMH)

Power

LED power	21 W - 27 W	Circuit power	25 W - 34 W
-----------	-------------	---------------	-------------

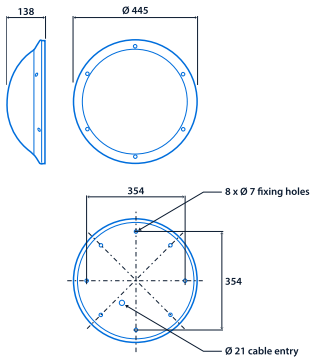
LED characteristics

CRI	80+	Colour temperature	3000 K 4000 K
Rated life (hours)	100 K - L80/B10		

Compliance

UKCA	Yes	CE	Yes
Energy efficiency class	This product contains a light source of energy efficiency class C		

Dimensions



View the range



Information is correct as of 20-Dec-2024, however must not be interpreted as a guarantee of individual product performance and/or characteristics. We reserve the right to alter specifications and designs without prior notice.