

Thorseal LED Type 'n'

Hazardous area LED high bay luminaires

IP65 sealed LED high bay luminaires with die cast aluminium body. Sealed, clear flat toughened/safety glass cover, for suspended or surface mount applications.

Applications: Zone 2 & 22 areas.

- Suitable for use in areas classified as low impact risk
- Broad and narrow distribution
- Suitable for ambient temperatures of -20°C to +40°C



IP65

156.2 LL/CW

Specification

Mounting	Surface Suspended	IP rating	IP65
----------	----------------------	-----------	------

Lighting

Optic	Clear cover	Lumen output	15,000 lm - 30,000 lm
Efficacy	156.2 LL/CW		

Power

LED power	88 W - 176 W	Circuit power	96 W - 192 W
-----------	--------------	---------------	--------------

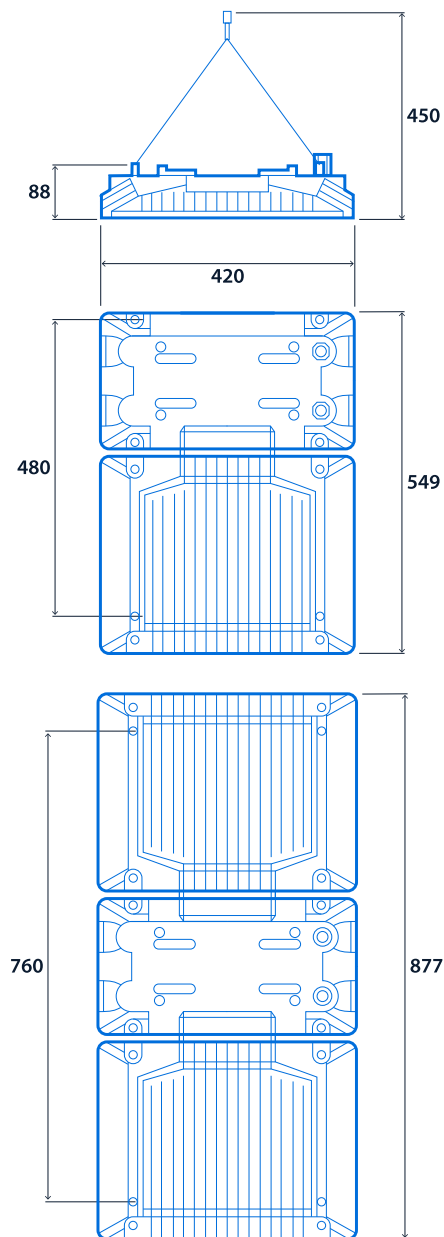
LED characteristics

CRI	80+	Colour temperature	4000 K
Rated life (hours)	100 K - L70/B10		

Compliance

UKCA	Yes	CE	Yes
Energy efficiency class	This product contains a light source of energy efficiency class C	Hazardous compliance	II 3 D Ex tc IIIC T100°C Dc II 3 G Ex nR IIC T4 Gc
ATEX certified	Yes		

Dimensions



Thorseal LED Type 'n'



Click or scan here
View Thorseal LED Type 'n'
variants using our online
filtering tool



Information is correct as of 15-Jan-2025, however must not be interpreted as a guarantee of individual product performance and/or characteristics. We reserve the right to alter specifications and designs without prior notice.