

Infra-red control for individual or groups of SmartScan luminaires

Hand-held infra-red control for individual or groups of SmartScan luminaires. Supplied with unique, robust wall mounting bracket, with optional locking kit for security.

- Tough, impact-resistant polycarbonate body
- Controls individual or groups of SmartScan luminaires
- Touch-sensitive buttons, providing ON, OFF, ECO (automatic control) and individual or group dimming
- Supplied with unique, robust wall mounting bracket
- Optional locking kit available for added security
- Powered by 2 CR2032 3 V battery (supplied)



Lighting management

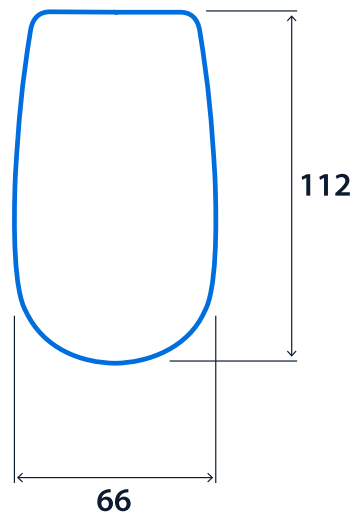
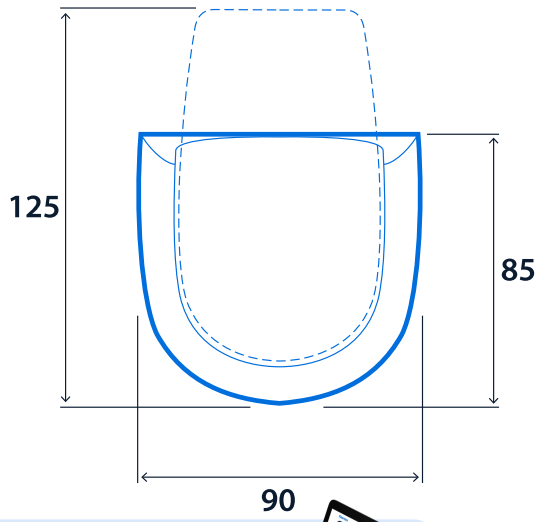
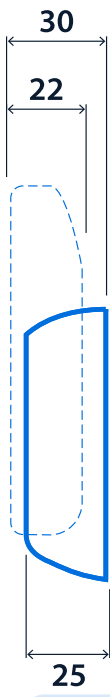
Lighting control system

SmartScan Internal

Compliance

UKCA	Yes	CE	Yes
SmartScan wireless standards compliance	Europe: EN 300 220-1 V2.4.1/ EN 301 489-3 V1.6.1. Australasia: ACMA 2014 Radio Communication Standard 2014. Thorlux Patented Wireless Technology - GB2575724		

Dimensions



View the
range

