

# SmartScan Programmer

## Infra-red programmer for SmartScan luminaires

Infra-red programmer for SmartScan and Smart luminaires. Programs operational settings, reads luminaire status and initiates system tests. Configures wireless communications and mesh network for SmartScan luminaires.

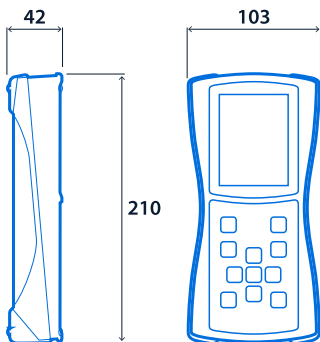
- Rugged silicone sleeve for improved durability
- Sealed keypad
- Programs operational settings, reads luminaire status and initiates system tests
- Configures wireless communications and mesh network
- Tests emergency luminaires
- Reads back status information from SmartScan emergency luminaires and compatible SmartScan Sensors
- Powered by Lithium-ion battery - rechargeable via USB-C port



## Compliance

UKCA Yes CE Yes

## Dimensions



# SmartScan Programmer



**Click or scan here**  
View SmartScan Programmer  
variants using our online  
filtering tool



Information is correct as of 21-Jan-2025, however must not be interpreted as a guarantee of individual product performance and/or characteristics. We reserve the right to alter specifications and designs without prior notice.