

Opal polycarbonate diffuser luminaires

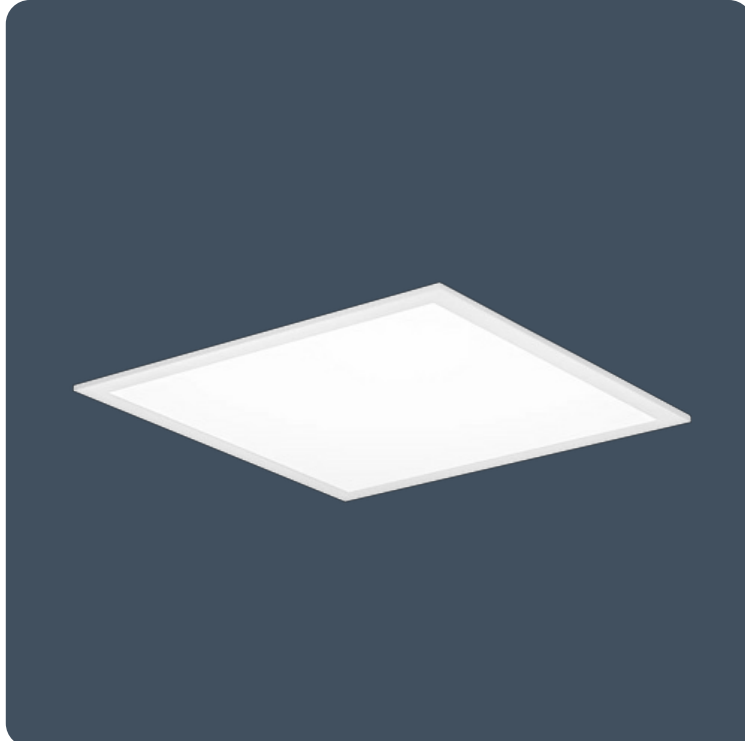
Highly efficient back-lit luminaires with an opal, polycarbonate diffuser.

SkyGlo is part of the SkyCore family, a range of luminaires designed with sustainability and circularity principals in mind. SkyCore luminaires use the Fast-Fix wiring enclosure, wattage selector and Thorlux patented LUX Guard technology for fast installation, future flexibility and prolonged life.

Available in; recessed, surface and pendant mounting options.

Applications: education, healthcare, break-out areas, canteens, circulation areas and toilets.

- Shallow body depth of 59 mm, 94 mm including the gearbox
- TM66 score of 2.5 - LIA/CIBSE certification scheme TSD-012 verified
- Suitable for most ceiling types with optional side arm suspensions and plasterboard mounting kits
- Designed to exclude dust, dirt and flies. All control gear is outside the LED enclosure
- Rapid installation using Fast-Fix wiring enclosure or SmartScan plug and play TEE connectors
- SmartScan wireless technology removes the need for control cabling. Ideal for retro-fit
- Wattage selectable during installation. Please see the performance section for options



IP40 (IP20 above ceiling)

Up to IK09

Up to 146.9 LL/CW

SMARTSCAN

LUXGUARD

TM66 circularity score 2.5

Lighting management

Lighting control system

Dimming (DALI)
Non-dimming
SmartScan Internal

Emergency system

AutoTest Emergency
Non-emergency
SmartScan Emergency
Standard Emergency

Specification

Mounting

Recessed
Surface
Suspended

IP rating

IP40 (IP20 above ceiling)

Impact rating

Up to IK09

Nominal size

600 x 600 mm

Max presence detection height

8 m

Sustainability

TM66 circularity score

2.5

Lighting

Optic

Opal diffuser

Lumen output

2,755 lm - 5,410 lm

Efficacy

Up to 146.9 LL/CW

Emergency data

Emergency lumen output

390 lm

Emergency type

Maintained

Emergency duration

3 hours

Battery specification

Nickel Metal Hydride (NiMH)

Power

LED power

16 W - 34 W

Circuit power

19 W - 38 W

Construction

Thermoplastic rating

TP(a)

LED characteristics

CRI

80+

Colour temperature

4000 K

Rated life (hours)

100 K - L80/B10

Compliance

UKCA

Yes

CE

Yes

Energy efficiency class

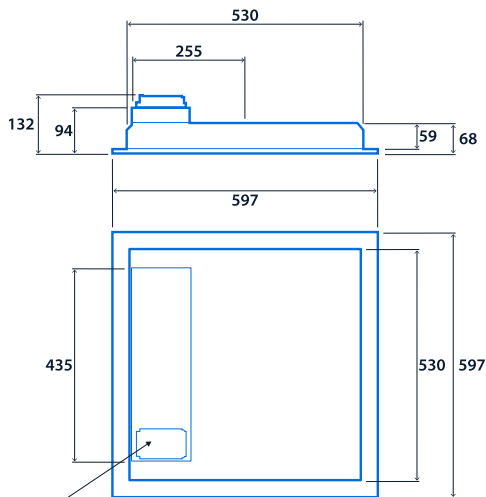
This product contains a light source of SmartScan wireless standards energy efficiency class B

compliance

Europe: EN 300 220-1 V2.4.1/ EN 301 489-3 V1.6.1. Australasia: ACMA 2014 Radio Communication Standard 2014. Thorlux Patented Wireless Technology - GB2575724

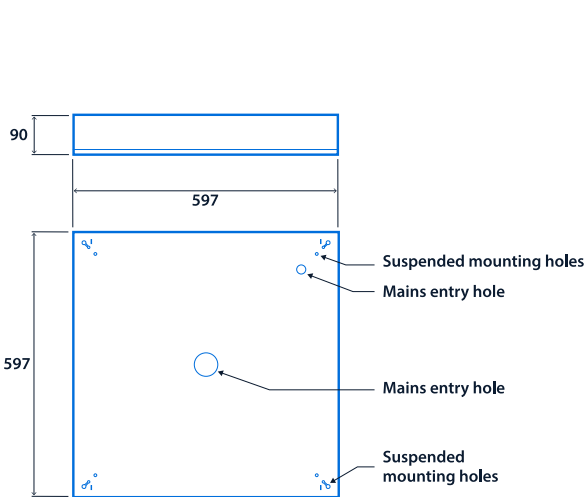
Dimensions

Recessed version 600 x 600

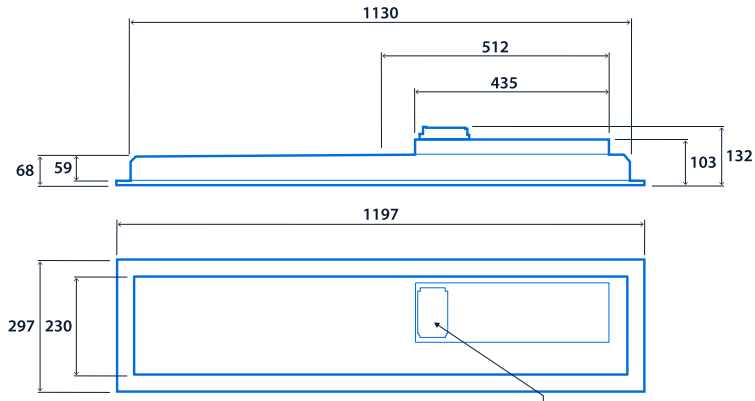


3-pole TEE (SmartScan versions)
Fast-Fix wiring enclosure (Non-dimming and DALI versions)

Surface/Suspended version 600 x 600



Recessed version 1200 x 300



3-pole TEE (SmartScan versions)
Fast-Fix wiring enclosure (Non-dimming and DALI versions)

Accessories

Product code	Description	Weight
IK20277	Side arm suspension kit - 4 arms per kit - Not required for lay-in mounting	-
RAD16877	Recessing frame kit for plasterboard ceiling - 600 x 600	3.7 kg



View the
range

