

Domed polycarbonate diffuser luminaires

Highly efficient back-lit luminaires with a domed, polycarbonate diffuser.

SkyDome is part of the SkyCore family, a range of luminaires designed with sustainability and circularity principals in mind. SkyCore luminaires use the Fast-Fix wiring enclosure, wattage selector and Thorlux patented LUX Guard technology for fast installation, future flexibility and prolonged life.

Available in; recessed, surface and pendant mounting options.

Applications: classrooms, libraries, healthcare, break-out areas, canteens, circulation areas and entrance lobbies.

- Shallow body depth of 59 mm, 94 mm including the gearbox
- TM66 score of 2.5 - LIA/CIBSE certification scheme TSD-012 verified
- Domed diffuser provide excellent wall, ceiling and vertical illumination
- Suitable for most ceiling types with optional side arm suspensions and plasterboard mounting kits
- Designed to exclude dust, dirt and flies. All control gear is outside the LED enclosure
- Rapid installation using Fast-Fix wiring enclosure or SmartScan plug and play TEE connectors
- SmartScan wireless technology removes the need for control cabling. Ideal for retro-fit
- Wattage selectable during installation. Please see the performance section for options



IP40 (IP20 above ceiling)

Up to IK09

Up to 144.6 LL/CW

SMARTSCAN

LUXGUARD

TM66 circularity score 2.5

Lighting management

Lighting control system	Dimming (DALI) Non-dimming SmartScan Internal	Emergency system	AutoTest Emergency Non-emergency SmartScan Emergency Standard Emergency
-------------------------	---	------------------	--

Specification

Mounting	Recessed Surface Suspended	IP rating	IP40 (IP20 above ceiling)
Impact rating	Up to IK09	Nominal size	600 x 600 mm
Max presence detection height	8 m		

Sustainability

TM66 circularity score	2.5
------------------------	-----

Lighting

Optic	Opal diffuser	Lumen output	2,710 lm - 5,315 lm
Efficacy	Up to 144.6 LL/CW		

Emergency data

Emergency lumen output	330 lm	Emergency type	Maintained
Emergency duration	3 hours	Battery specification	Nickel Metal Hydride (NiMH)

Power

LED power	16 W - 34 W	Circuit power	19 W - 38 W
-----------	-------------	---------------	-------------

Construction

Thermoplastic rating	TP(a)
----------------------	-------

LED characteristics

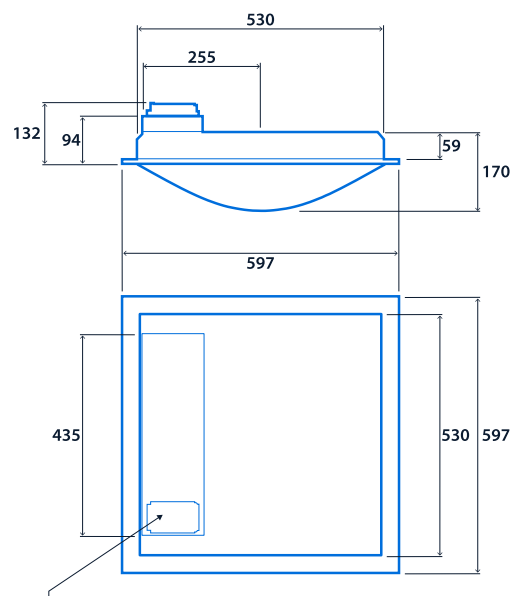
CRI	80+	Colour temperature	4000 K
Rated life (hours)	100 K - L80/B10		

Compliance

UKCA	Yes	CE	Yes
Energy efficiency class	This product contains a light source of SmartScan wireless standards energy efficiency class B	compliance	Europe: EN 300 220-1 V2.4.1/ EN 301 489-3 V1.6.1. Australasia: ACMA 2014 Radio Communication Standard 2014. Thorlux Patented Wireless Technology - GB2575724

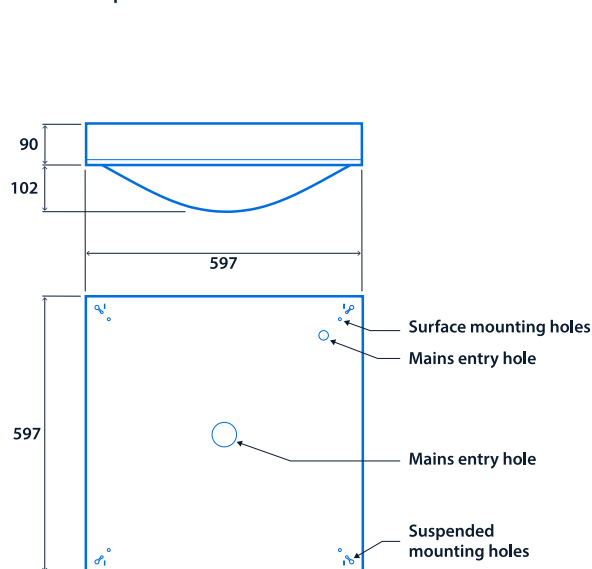
Dimensions

Recessed version



3-pole TEE (SmartScan versions)
Fast-Fix wiring enclosure (Non-dimming and DALI versions)

Surface/Suspended version



Accessories

Product code	Description	Weight
IK20277	Side arm suspension kit - 4 arms per kit - Not required for lay-in mounting	-
RAD16877	Recessing frame kit for plasterboard ceiling - 600 x 600	3.7 kg



View the
range

