

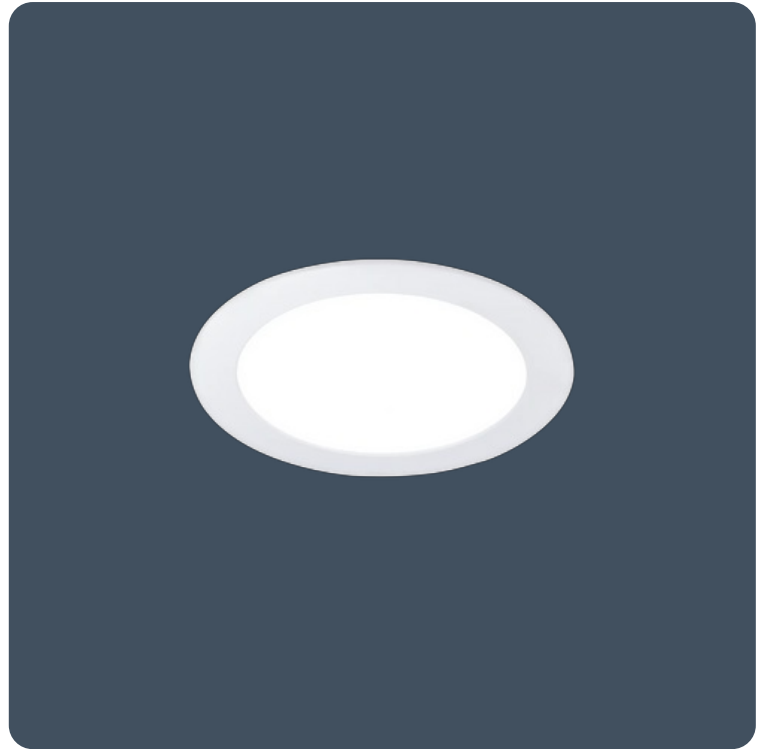
Circular LED edge-lit recessed downlighters

The R3 is a UK designed and manufactured LED edge-lit down light built to a high specification. It uses fire retardant panels in both opal and low glare versions. Available in 3000 K and 4000 K, the two power choices are complemented with emergency derivatives and SmartScan energy saving versions.

Applications: Student accommodation, healthcare and general purpose use.

- Edge-lit diffuser technology eliminates visible LEDs
- Supplied with remote gear unit fitted with 2 m supply lead
- SmartScan versions fitted with TEE connector for LCM wiring
- SmartScan wireless technology removes the need for control cabling. Ideal for retro-fit

Notes: Low glare and SmartScan versions are IP40 below ceiling



Up to IP54 (IP40 above ceiling) Up to 91.8 LL/CW SMARTSCAN LUXGUARD

Specification

Mounting	Recessed	IP rating	Up to IP54 (IP40 above ceiling)
Max presence detection height	8 m		

Lighting

Optic	Low glare diffuser Opal diffuser	Lumen output	845 lm - 1,865 lm
Efficacy	Up to 91.8 LL/CW		

Emergency data

Emergency lumen output	200 lm - 235 lm	Emergency type	Maintained
Emergency duration	3 hours	Battery specification	Nickel Metal Hydride (NiMH)

Power

LED power	9 W - 18 W	Circuit power	11 W - 22 W
-----------	------------	---------------	-------------

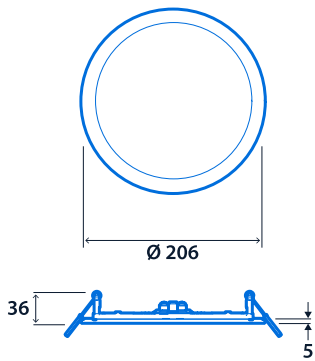
LED characteristics

CRI	80+	Colour temperature	3000 K 4000 K
Rated life (hours)	50 K - L80/B10		

Compliance

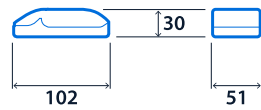
UKCA	Yes	CE	Yes
Energy efficiency class	This product contains a light source of energy efficiency class F	Thermoplastic rating	TP(a)

Dimensions

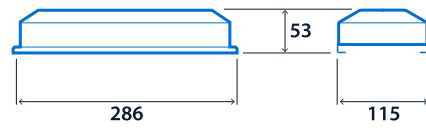


Cut-out - Ø 180
 Minimum void depth:
 Standard - 40mm
 Smart & Emergency - 90mm

Standard Remote Driver



LED Downlighter Power Unit



Luminaire connected to gear by 450mm lead





Click or scan here
View R3 variants using our
online filtering tool



Information is correct as of 30-Jan-2025, however must not be interpreted as a guarantee of individual product performance and/or characteristics. We reserve the right to alter specifications and designs without prior notice.