

Track mounted adjustable spotlights

Highly efficient track mounted spotlights with discrete integral control gear. Available in either narrow (19°), medium (33°) or wide (64°) beam distributions using Ra90 LEDs as standard, perfect for retail and display applications. Rotatable through 350° azimuth and 90° vertically for a full range of adjustment.

For use with the Track system.

- High performance reflector technology available in narrow (19°), medium (33°) and wide (64°) beam distributions
- 350° azimuth adjustment
- 90° vertical adjustment
- Suitable for installation into Global 3-circuit or DALI 3-circuit track
- Fitted with CRI 90 LEDs, suitable for retail applications
- Optional low glare honeycomb louvre



IP20

Up to 113.7 LL/CW

Specification

Mounting	Track	IP rating	IP20
----------	-------	-----------	------

Lighting

Lumen output	2,170 lm - 2,830 lm	Efficacy	Up to 113.7 LL/CW
--------------	---------------------	----------	-------------------

Power

LED power	19 W - 22 W	Circuit power	22 W - 26 W
-----------	-------------	---------------	-------------

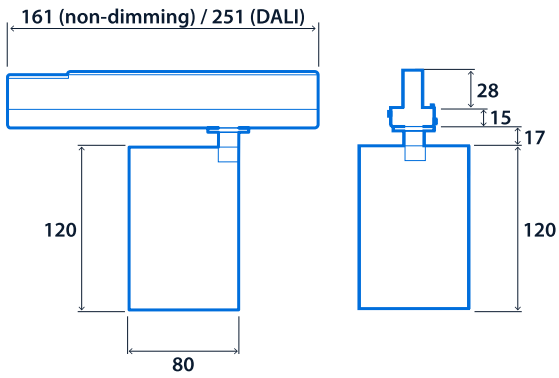
LED characteristics

CRI	90+	Colour temperature	3000 K 4000 K
Rated life (hours)	85 K - L80/B10		

Compliance

UKCA	Yes	CE	Yes
Energy efficiency class	This product contains a light source of energy efficiency class E		

Dimensions





Click or scan here
View Pitch Pro variants using
our online filtering tool



Information is correct as of 15-Jan-2025, however must not be interpreted as a guarantee of individual product performance and/or characteristics. We reserve the right to alter specifications and designs without prior notice.