

Innovative dual EV charging pillar with built-in high performance area lighting

Passway EV combines high performance area illumination with EV charging in a single, stylish and robust solution. By incorporating up to 2x22kW fast charging into the Passway bollard, Passway EV not only provides the power to charge your electric fleet quickly, but importantly, also provides the illumination to enable users to safely connect to the charger and identify trip hazards such as trailing cables.

The sophisticated optics provide excellent area illumination with high uniformity, low glare and less than 2% upward light, reducing light pollution. Integral emergency and SmartScan Radar options provide unparalleled safety, comfort and convenience for an EV charger.

- Superb photometric performance for wide spacings and excellent uniformity
- On-board selector switch provides on-site adjustment between area and pathway distributions
- SmartScan Radar with sensor discretely hidden behind the cover
- SmartScan wireless emergency option
- High power charging capability up to twin 22 kW
- Simple RFID antenna to control user access as standard
- Can be connected to the internet using the integrated Ethernet port, Wi-Fi or 4G connectivity to provide optional back-office control (SIM card supplied optional extra)

Notes: For cable lengths up to 25 m and in accordance with table 4E4A of BS7671. Ensure RCD is compliant with BS EN 61008-1 and switches all poles (including neutral).



Lighting management

Lighting control system	SmartScan Radar	Emergency system	Non-emergency SmartScan Emergency
-------------------------	-----------------	------------------	-----------------------------------

Specification

Mounting	Surface	IP rating	IP54
Max presence detection height	4 m		

EV charging

Socket	Twin	Charging speed	7.4 kW 22 kW
Metering	CT clamp MID (Measuring Instruments Directive)		

Lighting

Lumen Output (Multiple) Up to Area - 1495 / Pathway - 780 lm

Power

LED Power (Multiple) Area - 21 W / Pathway - 11 W

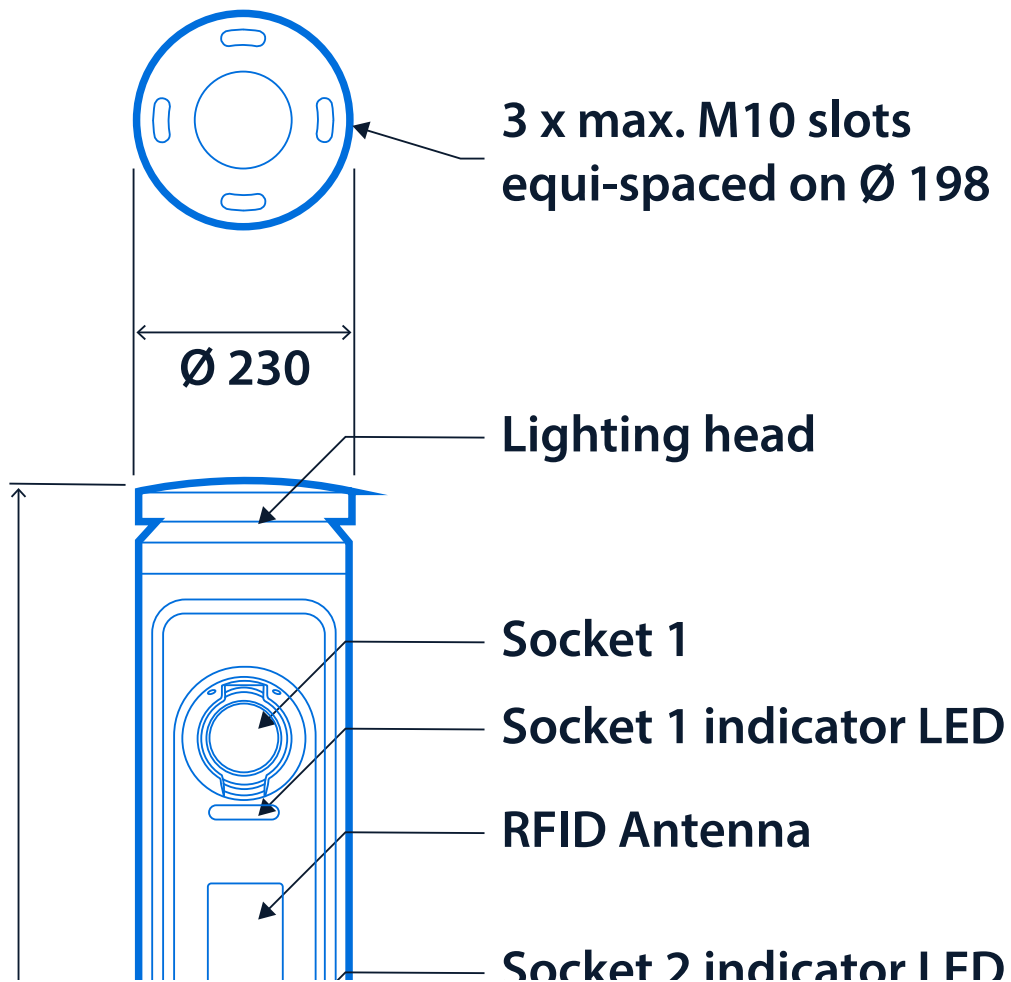
LED characteristics

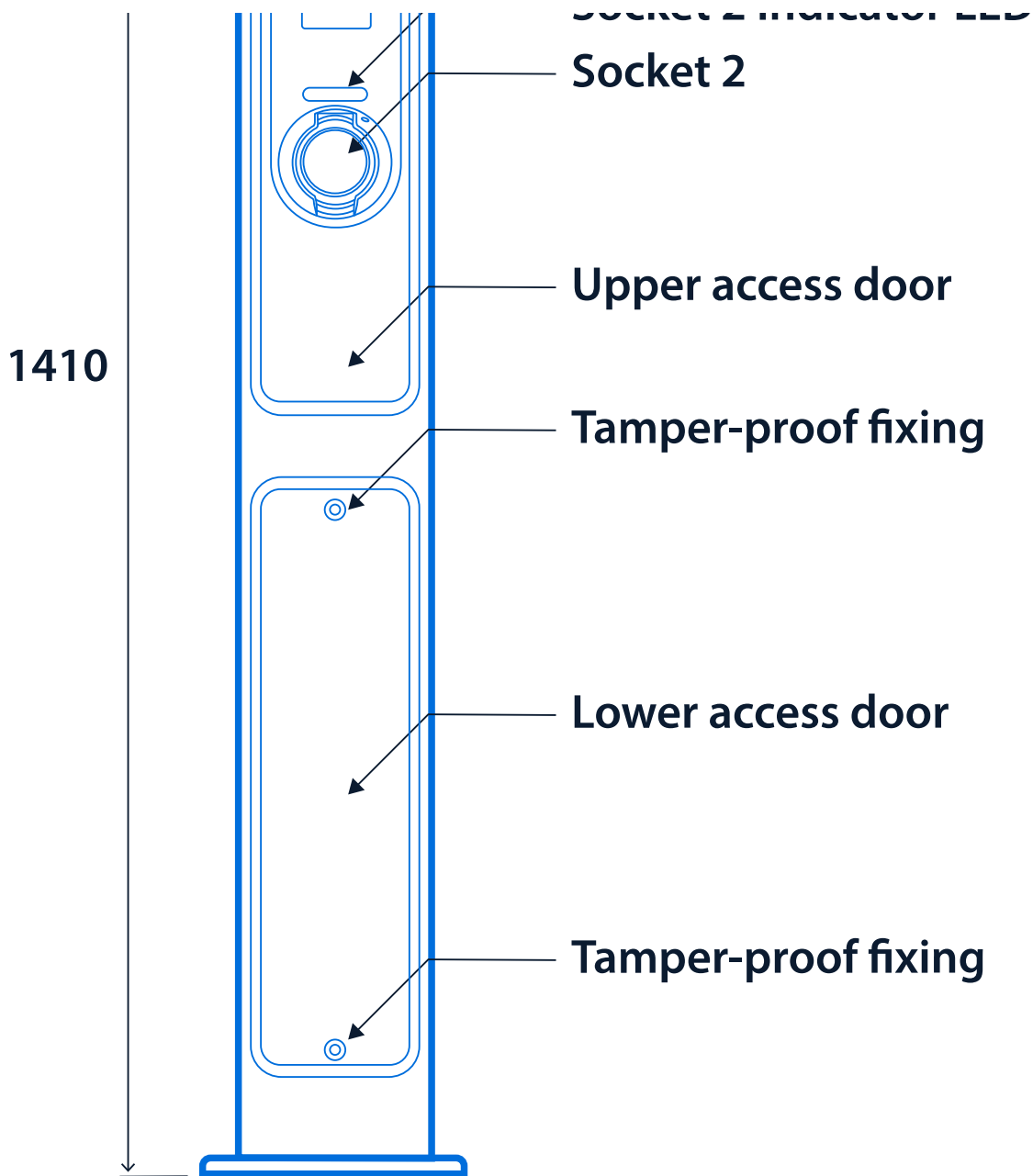
CRI	70+	Colour temperature	3000 K 4000 K
Rated life (hours)	100 K - L70/B10		

Compliance

UKCA Energy efficiency class	Yes This product contains a light source of energy efficiency class C	CE SmartScan wireless standards compliance	Yes Europe: EN 300 220-1 V2.4.1/ EN 301 489-3 V1.6.1. Australasia: ACMA 2014 Radio Communication Standard 2014. Thorlux Patented Wireless Technology - GB2575724
---------------------------------	--	---	---

Dimensions





Accessories

Product code	Description	Weight
KEY6759	5 mm pin hex key for tamper-resistant screws	0.1 kg



View the range

