

**Pendant luminaires with hand-spun steel reflector and replaceable LED lamp**

Handcrafted pendant luminaires inspired by original 1930's designs. The vitreous enamelled steel luminaires are available in a choice of Ivory or British Racing Green. The light source is a replaceable LED lamp available in a warm 2700 K or a very warm 2200 K.

Applications: Reception area, break-out spaces, retail, restaurants.

- Choice of Ivory or British Racing Green exterior with white interior
- Spun steel reflectors, hand-formed using original machinery from the 1930's with high quality vitreous enamelled finish
- Original Thorlux branding
- Supplied with E27 brass lampholder
- High quality, low power LED lamp designed to resemble original tungsten filament lamps. Warm (2700K) and very warm (2200K) options.
- UV stabilised PVC supply cable with outer fabric sheath
- 2 m galvanised closed link, solid steel suspension chain



IP20      Up to 100.8 LL/CW

**Specification**

Mounting	Suspended	IP rating	IP20
----------	-----------	-----------	------

**Lighting**

Lumen output	630 lm - 806 lm	Efficacy	Up to 100.8 LL/CW
--------------	-----------------	----------	-------------------

**Power**

LED power	8 W	Circuit power	8 W
-----------	-----	---------------	-----

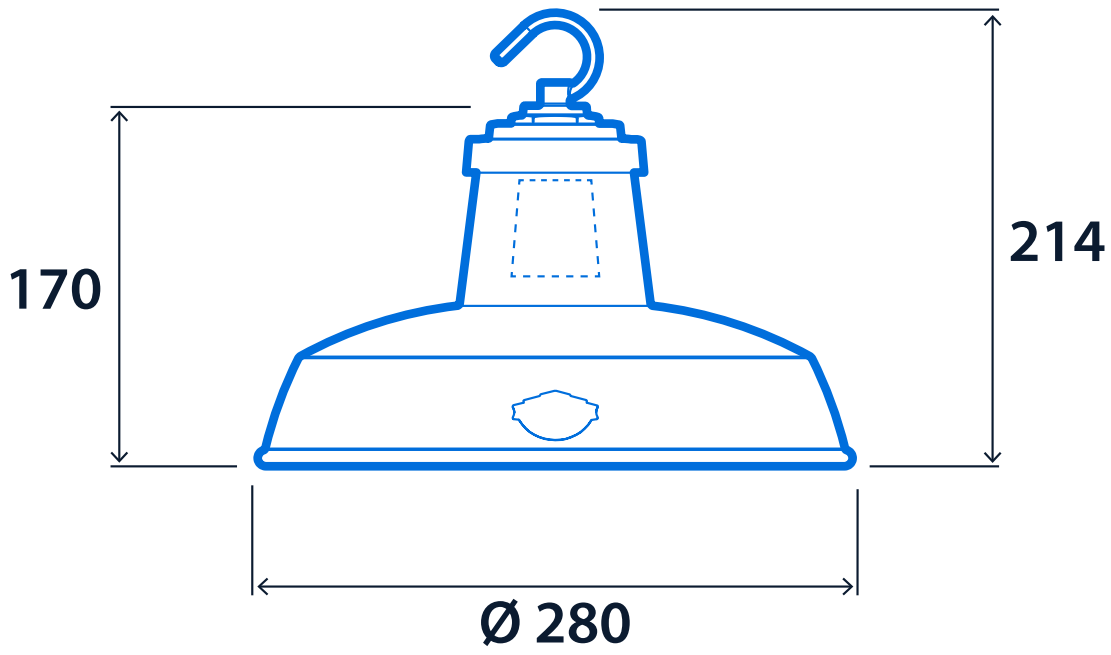
**LED characteristics**

CRI	80+	Colour temperature	2200 K 2700 K
Rated life (hours)	15 K		

**Compliance**

UKCA	Yes	CE	Yes
------	-----	----	-----

Dimensions



View the range

