

High performance wall mounted luminaires

Vandal resistant luminaires photometrically designed to achieve wide luminaire spacing. Die-cast aluminium body with impact-resistant, flame-retardant UV stabilised prismatic polycarbonate cover.

Applications: walkways and entrance areas, commercial premises, educational institutes and hospital/healthcare buildings.

- Strong pressure die-cast LM2 aluminium body prevents distortion when fixing and preserves IP rating
- Spacings up to six times mounting height
- Optional photocell control
- Tamper-resistant cover screws available
- Simple to fix using external stainless-steel brackets and two lower points, all external to gasket line to preserve IP rating
- Complies with M.O.D. JSP482 Chapter 8 Document for 'Category C' areas
- SmartScan wireless technology removes the need for control cabling. Ideal for retro-fit



IP65
IK10
110 LL/CW
SMARTSCAN
LUXGUARD

Specification

| | | | |
|---------------|---------|-------------------------------|------|
| Mounting | Surface | IP rating | IP65 |
| Impact rating | IK10 | Max presence detection height | 8 m |

Lighting

| | | | |
|----------|-----------------|--------------|----------|
| Optic | Prismatic cover | Lumen output | 3,300 lm |
| Efficacy | 110 LL/CW | | |

Emergency data

| | | | |
|------------------------|---------|-----------------------|-----------------------------|
| Emergency lumen output | 250 lm | Emergency type | Maintained |
| Emergency duration | 3 hours | Battery specification | Nickel Metal Hydride (NiMH) |

Power

| | | | |
|-----------|------|---------------|------|
| LED power | 26 W | Circuit power | 30 W |
|-----------|------|---------------|------|

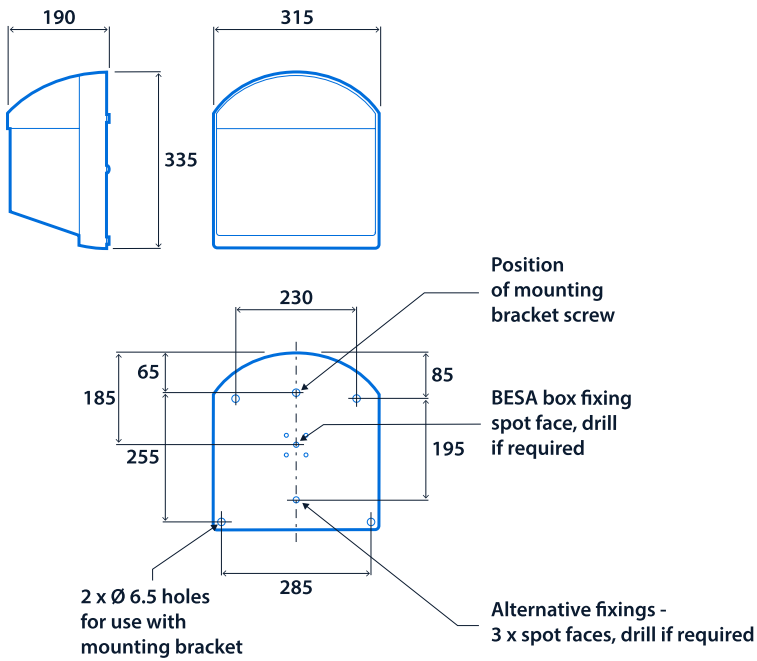
LED characteristics

| | | | |
|--------------------|-----------------|--------------------|------------------|
| CRI | 80+ | Colour temperature | 4000 K 5700 K |
| Rated life (hours) | 100 K - L70/B10 | | |

Compliance

| | | | |
|-------------------------|---|----|-----|
| UKCA | Yes | CE | Yes |
| Energy efficiency class | This product contains a light source of energy efficiency class B | | |

Dimensions





Click or scan here
View Mercian variants using
our online filtering tool



Information is correct as of 21-Jan-2025, however must not be interpreted as a guarantee of individual product performance and/or characteristics. We reserve the right to alter specifications and designs without prior notice.