

## Single, double and triple message LED illuminated signage range

Single, double and triple message LED illuminated signage range, manufactured from zinc plated steel with white body finish. Slim, sleek and discrete body. Custom full-colour acrylic legend panels available to special order. Each section is separately switched and each requires a dedicated mains feed to power.

Application: medical, healthcare, education, retail.

- Extremely long LED lifetime, up to 100,000 hours
- Semi discreet legend panel when off
- Separately switched sections require a dedicated mains feed to power each section
- Custom legend panels available to special order
- Slim and sleek design

Notes: Body and legend ordered separately - See 'View the range' for legend options or for triple legends please contact Thorlux sales department to confirm artwork



IP20

### Specification

|          |         |           |      |
|----------|---------|-----------|------|
| Mounting | Surface | IP rating | IP20 |
|----------|---------|-----------|------|

### Power

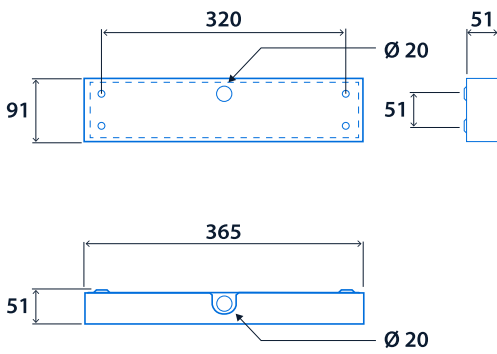
|                      |           |
|----------------------|-----------|
| LED Power (Multiple) | Up to 6 W |
|----------------------|-----------|

### Compliance

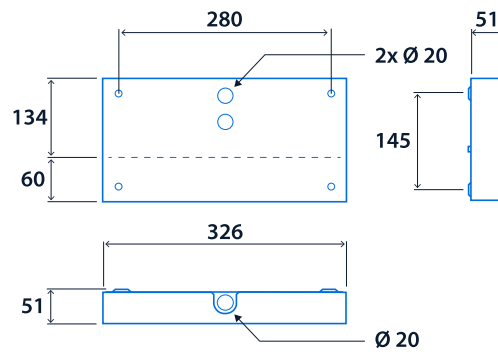
|      |     |    |     |
|------|-----|----|-----|
| UKCA | Yes | CE | Yes |
|------|-----|----|-----|

# Dimensions

## Single message body

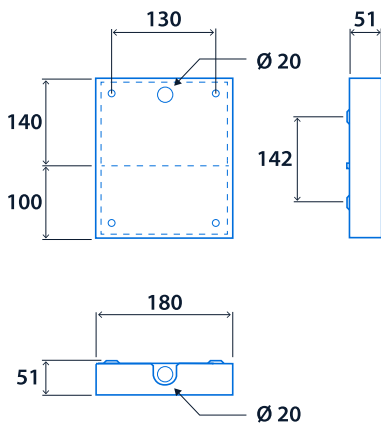


## Double message body (landscape)



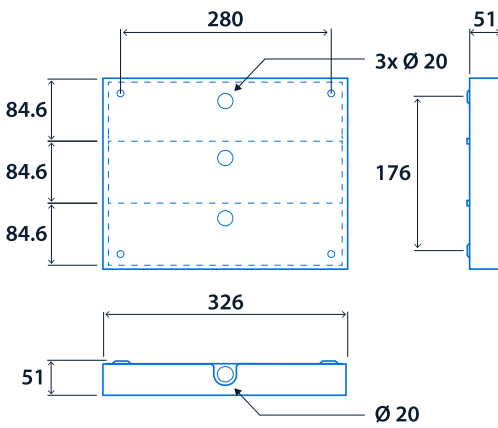
\*Upper & Lower sections are separately switched

## Double message body (portrait)



\*Upper & Lower sections are separately switched

## Triple message body



\*3 Sections are separately switched

# Legend Options

| Product code | Description   | Weight |
|--------------|---|--------|
| LEG1000L     | Single legend - Meeting in progress                               | -      |
| LEG1001L     | Single legend - Do not enter                                      | -      |
| LEG1002L     | Single legend - Room in use                                       | -      |
| LEG1003L     | Single legend - Laser in use                                      | -      |
| LEG1004L     | Single legend - X-ray in use                                      | -      |
| LEG2000L     | Double legend (landscape) - Controlled area x-rays / No entry     | -      |
| LEG2001L     | Double legend (landscape) - Controlled area laser / No entry      | -      |
| LEG2002L     | Double legend (landscape) - Controlled area laser / Do not enter  | -      |
| LEG2003L     | Double legend (landscape) - Controlled area x-rays / Do not enter | -      |
| LEG2000P     | Double legend (portrait) - Controlled area x-rays / No entry      | -      |
| LEG2001P     | Double legend (portrait) - Controlled area laser / No entry       | -      |
| LEG2002P     | Double legend (portrait) - Controlled area x-rays / Do not enter  | -      |
| LEG2003P     | Double legend (portrait) - Controlled area x-rays / Do not enter  | -      |
| LEG2004P     | Double legend (portrait) - Room in use / Do not enter             | -      |



View the





range

