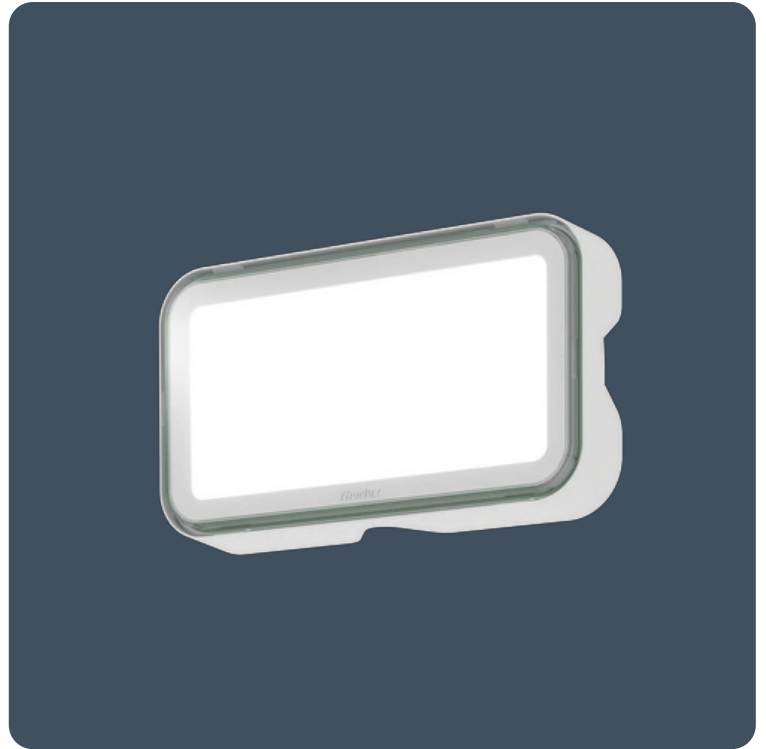


LED emergency luminaires with dedicated SmartScan wireless technology versions

Surface mounted LED emergency luminaires with optional self-adhesive exit sign legend kit. Optional downlighter LED array illuminates the exit doorway. Body will accept conduit wiring.

Applications: general use emergency lighting, walkways, car parks, factories, changing rooms, final exit door illumination / signage.

- Extremely long LED lifetime, up to 100,000 hours
- 21.8 m maximum viewing distance in accordance with BS EN 1838 when using legend kits
- Simple to install, full status reporting SmartScan wireless communication versions
- Integral downlight option for exit illumination
- Optional self-adhesive legend kit
- Status indicator shows operational condition
- Reliable Nickel Metal Hydride (NiMH) battery technology



IP65

IK10

Up to 78.3 LL/CW

Specification

| | | | |
|---------------|---------|-----------|------|
| Mounting | Surface | IP rating | IP65 |
| Impact rating | IK10 | | |

Lighting

| | | | |
|--------------|-----------------|----------|------------------|
| Lumen output | 230 lm - 235 lm | Efficacy | Up to 78.3 LL/CW |
|--------------|-----------------|----------|------------------|

Emergency data

| | | | |
|--------------------------|---------|-----------------------|--------------------------------------------------------------------------|
| Maximum viewing distance | 22 m | Emergency type | Maintained (wire link may be removed to enable non-maintained operation) |
| Emergency duration | 3 hours | Battery specification | Nickel Metal Hydride (NiMH) |

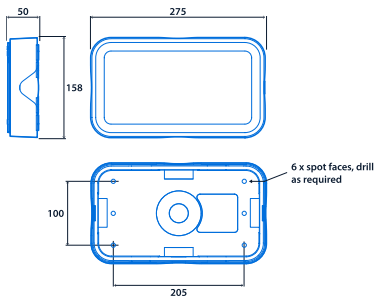
Power

| | | | |
|-----------|-----|---------------|-----|
| LED power | 2 W | Circuit power | 3 W |
|-----------|-----|---------------|-----|

Compliance

| | | | |
|------------------------|----------------------------------------------|----|-----|
| UKCA | Yes | CE | Yes |
| Ball impact resistance | DIN EN 18032 Part 3 and DIN VDE 0710 Part 13 | | |

Dimensions



View the
range



Information is correct as of 21-Dec-2024, however must not be interpreted as a guarantee of individual product performance and/or characteristics. We reserve the right to alter specifications and designs without prior notice.