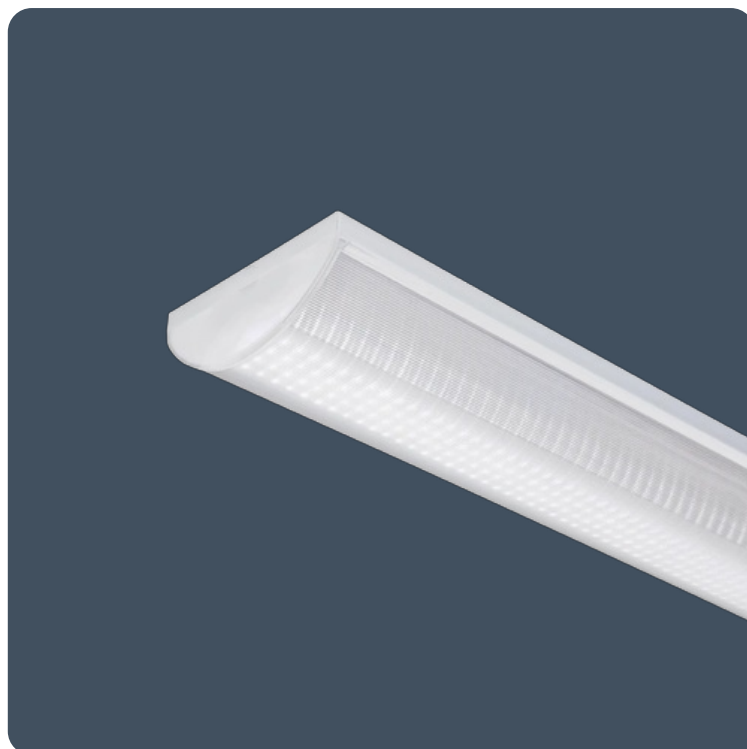


## Surface mounted shallow profile LED controlled luminaires

Shallow profile surface mounted luminaires with co-extruded 'Satin-Glo' polycarbonate controller. Suitable for use on defined escape routes.

Applications: schools, hospitals.

- Shallow profile design
- Specially wavelength optimised diffuser for LED technology achieves up to 171 lumens per "lamp" watt
- SmartScan wireless technology removes the need for control cabling. Ideal for retro-fit



IP40

Up to 150.6 LL/CW

### Specification

Mounting	Surface	IP rating	IP40
Nominal size	1200 mm 1500 mm	Max presence detection height	8 m

### Lighting

Optic	Satin-Glo diffuser	Lumen output	2,575 lm - 8,065 lm
Efficacy	Up to 150.6 LL/CW		

### Emergency data

Emergency lumen output	390 lm - 540 lm	Emergency type	Maintained
Emergency duration	3 hours	Battery specification	Nickel Metal Hydride (NiMH)

### Power

LED power	14 W - 51 W	Circuit power	18 W - 58 W
-----------	-------------	---------------	-------------

## LED characteristics

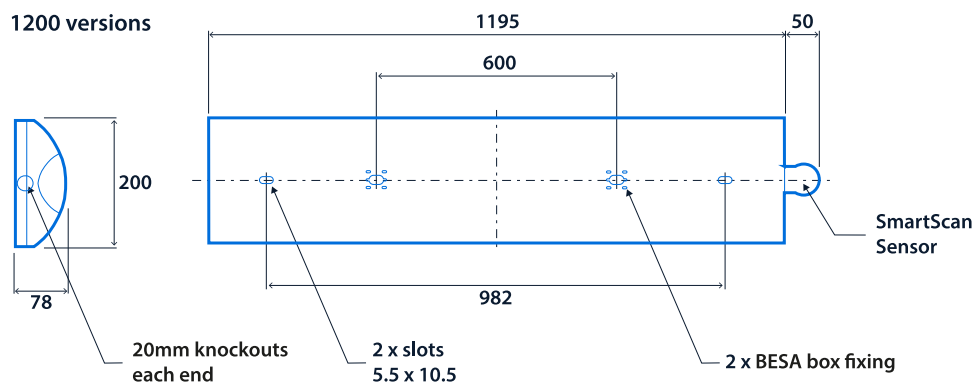
CRI	80+	Colour temperature	4000 K
Rated life (hours)	67 K - L80/B10		

## Compliance

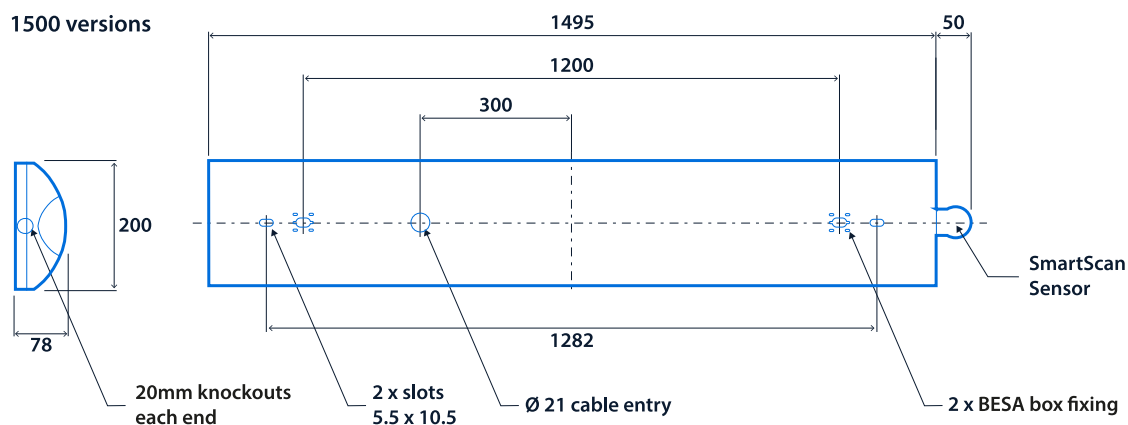
UKCA	Yes	CE	Yes
Energy efficiency class	This product contains a light source of energy efficiency class A		

## Dimensions

### 1200 versions



### 1500 versions





**Click or scan here**  
View Jubilee variants using  
our online filtering tool



Information is correct as of 22-Jan-2025, however must not be interpreted as a guarantee of individual product performance and/or characteristics. We reserve the right to alter specifications and designs without prior notice.