

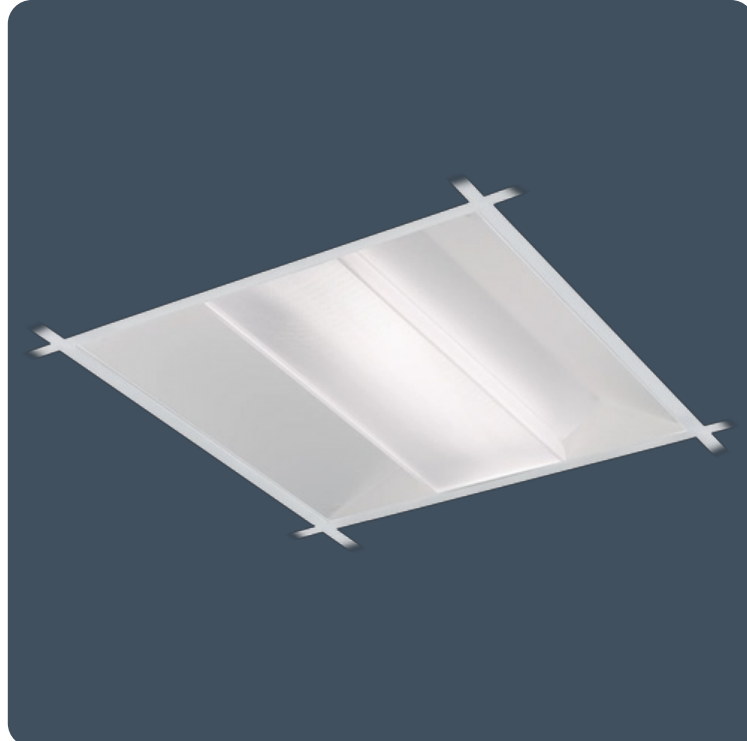
## High performance recessed luminaires

The classic design of the Hi-Style offers both opal and low glare optic versions for EN12464-1/LG7 compliance providing excellent wall and vertical illumination. The Hi-Style is available in a range of wattages in both 600 x 600 mm and 1200 x 600 mm versions achieving efficiencies up to 150.0 LL/CW. The polycarbonate flame retardant TP(a) rated diffusers are designed to IP40 to exclude dust, dirt and flies.

Applications: Offices, healthcare, meeting rooms, call centres, school classrooms, libraries, control rooms, reception areas, lobbies, retail and circulation areas.

- Low glare optics for EN12464-1 / LG7 (<3000cd/m<sup>2</sup> @ 65°) or opal diffuser option
- Excellent wall and vertical illumination
- Balanced direct/indirect luminance control above 65°
- Suitable for most ceiling types; lay-in or pull up with optional side arm suspensions accessible from below
- Extruded side diffusers give vibrant yet low glare aesthetics
- Designed to exclude dust, dirt and flies
- SmartScan wireless technology removes the need for control cabling. Ideal for retro-fit

Notes: 500 x 500 mm and air-handling versions available to special order



IP40 (IP20 above ceiling)

Up to 150.4 LL/CW

SMARTSCAN

LUXGUARD

## Lighting management

Lighting control system	Dimming (DALI) Non-dimming SmartScan Internal	Emergency system	AutoTest Emergency Non-emergency SmartScan Emergency Standard Emergency
-------------------------	---	------------------	--

## Specification

Mounting	Recessed	IP rating	IP40 (IP20 above ceiling)
Nominal size	600 x 600 mm 1200 x 600 mm	Max presence detection height	8 m

## Lighting

Optic	Low glare diffuser Opal diffuser	Lumen output	2,560 lm - 9,495 lm
Efficacy	Up to 150.4 LL/CW		

## Emergency data

Emergency lumen output	380 lm - 560 lm	Emergency type	Maintained
Emergency duration	3 hours	Battery specification	Nickel Metal Hydride (NiMH)

## Power

LED power	16 W - 60 W	Circuit power	19 W - 67 W
-----------	-------------	---------------	-------------

## Construction

Thermoplastic rating

TP(a)

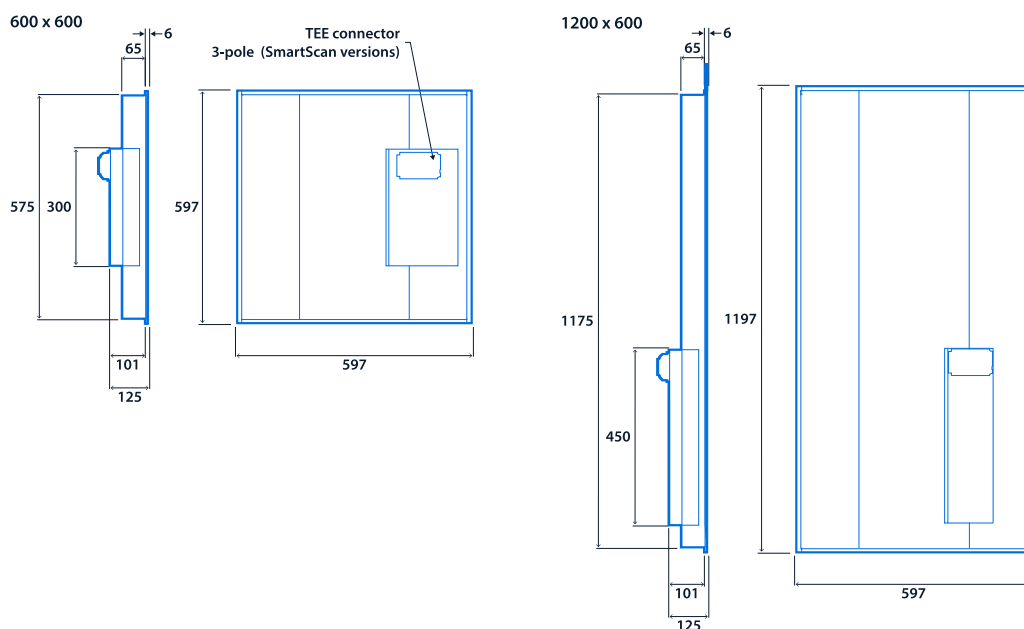
## LED characteristics

CRI	80+	Colour temperature	4000 K
Rated life (hours)	100 K - L80/B10		

## Compliance

UKCA	Yes	CE	Yes
Energy efficiency class	<b>This product contains a light source of energy efficiency class B</b>	SmartScan wireless standards compliance	Europe: EN 300 220-1 V2.4.1/ EN 301 489-3 V1.6.1. Australasia: ACMA 2014 Radio Communication Standard 2014. Thorlux Patented Wireless Technology - GB2575724

## Dimensions



## Accessories

Product code	Description	Weight
HI20250	Side arm suspension kit - 4 arms per kit - Not required for lay-in mounting	-



View the  
range

