

## Circular recessed colour temperature changing downlighters

Tunable white recessed luminaires with injection moulded reflector finished white.

Applications: Offices, corridors, reception areas, toilets and retail.

- Fitted with 3000 K and 6500 K LEDs for colour temperature control
- Optional reinforcing board with centre cut aperture
- Supplied with remote gear unit fitted with 2 m supply lead
- ColourActive versions feature SmartScan wireless technology removes the need for control cabling. Ideal for retro-fit
- ColourActive versions fitted with 3-pole TEE connector for LCM wiring

Notes: Emergency not available with ColourActive versions



IP40 (IP20 above ceiling)

Up to 68.3 LL/CW

LED PROTECT

### Specification

Mounting	Recessed	IP rating	IP40 (IP20 above ceiling)
----------	----------	-----------	---------------------------

### Lighting

Lumen output	965 lm - 2,050 lm	Efficacy	Up to 68.3 LL/CW
--------------	-------------------	----------	------------------

### Emergency data

Emergency lumen output	170 lm	Emergency type	Maintained
Emergency duration	3 hours	Battery specification	Nickel Metal Hydride (NiMH)

### Power

LED power	12 W - 24 W	Circuit power	15 W - 30 W
-----------	-------------	---------------	-------------

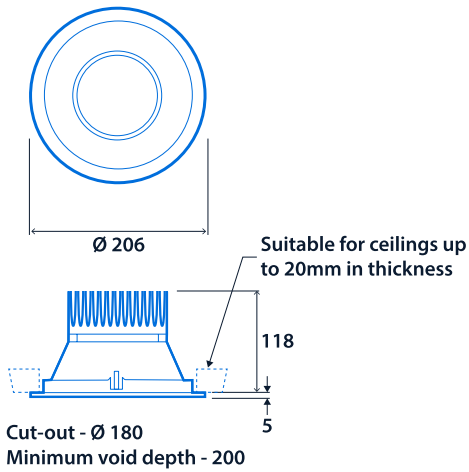
### LED characteristics

CRI	80+	Colour temperature	3000 - 6500 K
Rated life (hours)	60 K - L80/B10		

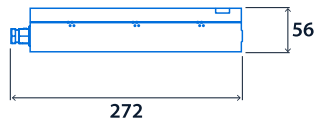
## Compliance

UKCA Yes CE Yes

## Dimensions



Standard version



Emergency version



3-pole TEE connector for ColourActive versions only

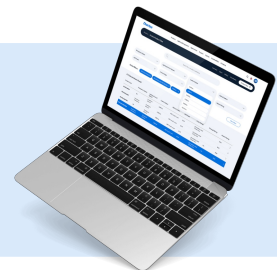


Open



Click or scan here

View G3 CA variants using our online filtering tool



Information is correct as of 02-Feb-2025, however must not be interpreted as a guarantee of individual product performance and/or characteristics. We reserve the right to alter specifications and designs without prior notice.