

Slimline, linear luminaires

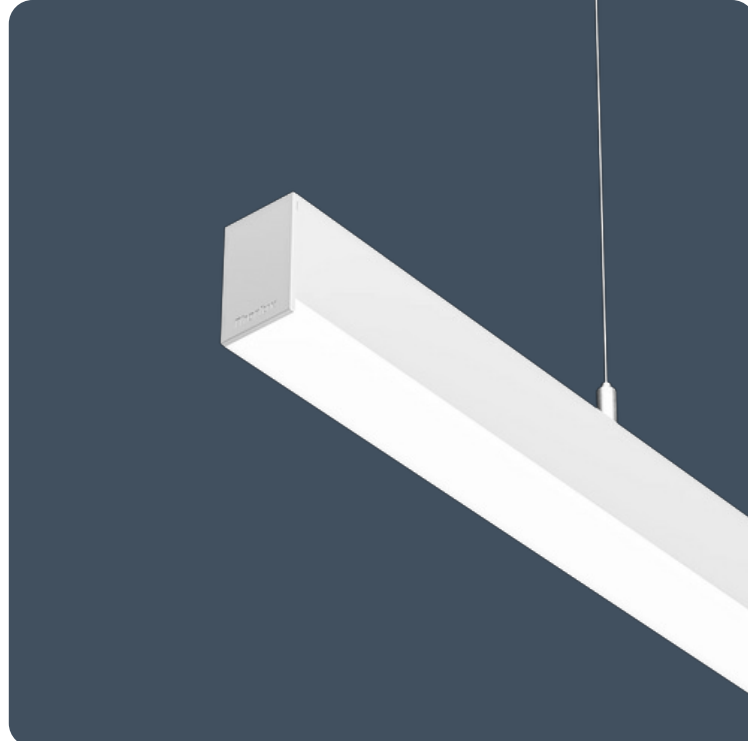
Flexbar Diffuser is an elegant, linear luminaire ideal for a wide range of applications. The uninterrupted diffuser creates striking lines of light across the ceiling whether it be surface, suspended or recessed mounted. The range includes individual, continuous and corner lengths to allow designers to be flexible with their lighting designs.

The dropped diffuser, available in opal and low-glare, provides upward light, creating a softer appearance whilst supporting illumination on the walls and ceiling, and aiding compliance to EN 12464-1 and LG7.

Applications: offices, education, meeting rooms, healthcare, circulation, leisure and retail.

- Integral through wiring system with plug and socket connector versions
- TM66 score of 2.6 - LIA/CIBSE certification scheme TSD-012 verified
- White (RAL 9016) or black (RAL 9005) body finishes
- Polycarbonate TP(a) fire-retardant diffuser in opal or low glare options
- Versions with optional uplight component
- Surface, suspended and recessed mounting options
- Low glare optics for EN12464-1 / LG7 (<1500cd/m² @ 65°) when using the low glare diffuser

Notes: See installation leaflet for fixing locations



IP20

Up to 135.3 LL/CW

SMARTSCAN

LUXGUARD

TM66 circularity score 2.6

Lighting management

Lighting control system

Dimming (DALI)
Non-dimming
SmartScan Internal

Emergency system

DALI / Self-Test Emergency
Non-emergency
SmartScan Emergency
Standard Emergency

Specification

Mounting

Recessed
Surface
Suspended

IP rating

IP20

Nominal size

850 x 870 mm
1400 mm
2800 mm

Max presence detection height

8 m

Sustainability

TM66 circularity score

2.6

Lighting

Optic

Low glare diffuser
Opal diffuser

Lumen output

1,775 lm - 8,920 lm

Efficacy

Up to 135.3 LL/CW

Emergency data

Emergency lumen output	350 lm - 365 lm	Emergency type	Maintained
Emergency duration	3 hours	Battery specification	Nickel Metal Hydride (NiMH)

Power

LED power	12 W - 60 W	LED power per metre	9 W - 21 W
Circuit power	15 W - 67 W		

LED characteristics

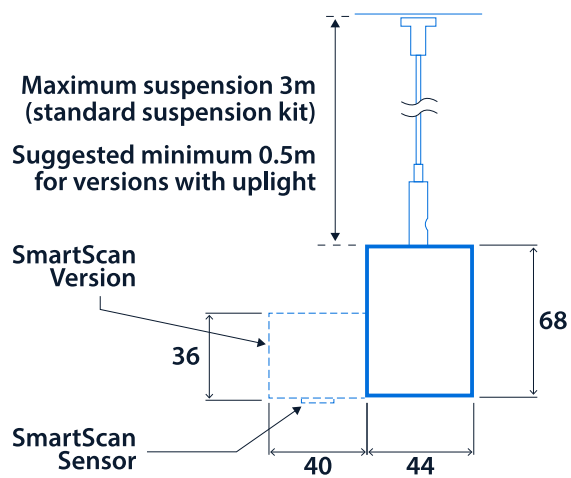
CRI	80+	Colour temperature	4000 K
Rated life (hours)	100 K - L80/B10		

Compliance

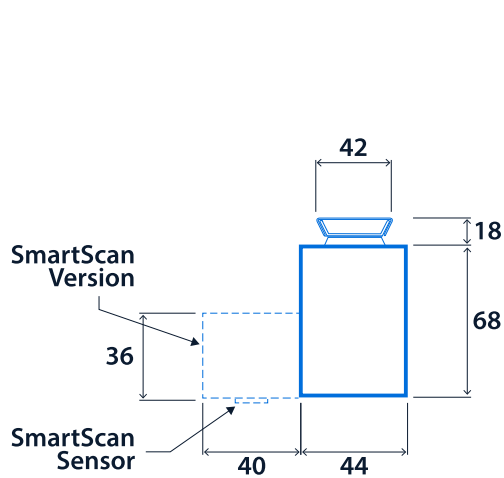
UKCA	Yes	CE	Yes
SmartScan wireless standards compliance	Europe: EN 300 220-1 V2.4.1/ EN 301 489-3 V1.6.1. Australasia: ACMA 2014 Radio Communication Standard 2014. Thorlux Patented Wireless Technology - GB2575724		

Dimensions

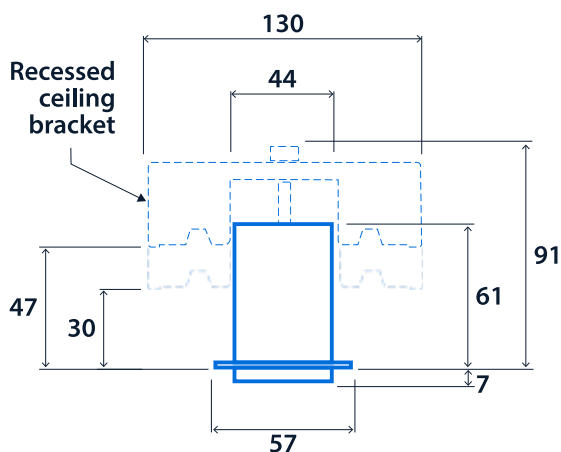
Suspended version



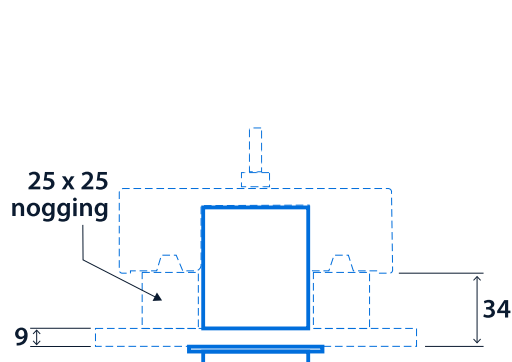
Surface version



Recessed version (pull-up only)



Mounting Arrangement - Plasterboard ceiling



Finishing Components

Product code	Description	Weight
FD20518	Opal diffuser - 3 m length	0.4 kg
FD20519	Low glare diffuser - 3 m length	0.4 kg
IK20181	3 m wire suspension kit - See mounting point spacing table in installation leaflet for required quantities	0.05 kg
IK20182	Surface mounting kit - See mounting point spacing table in installation leaflet for required quantities	0.04 kg
IK20274	Recessed tethering kit	0.01 kg
LL13361W12	Surface wiring tidy - White	0.4 kg
LL13361B6	Surface wiring tidy - Black	0.4 kg



View the
range

