

## Stand-alone passive infre-red detector

Stand-alone passive infra-red detector for small spaces. Suitable for switching up to 3 A.

- Ideal for small areas with low occupancy patterns
- Recessed or Surface mounting options
- 240 V / 3 A switching capacity
- Adjustable time delay (10 seconds - 25 minutes)
- Integral photocell (switching only)
- Presence or absence detection modes (absence detection requires push to make switch, not supplied)



IP20

---

### Specification

IP rating IP20

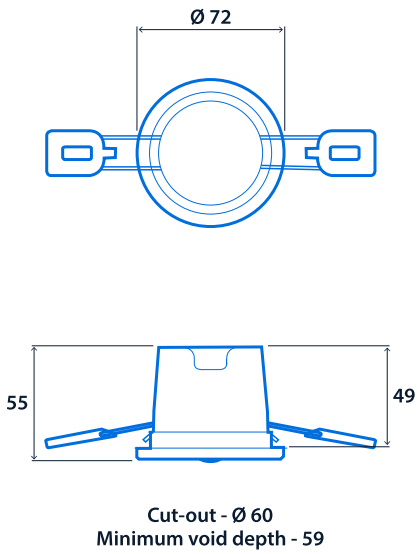
---

### Compliance

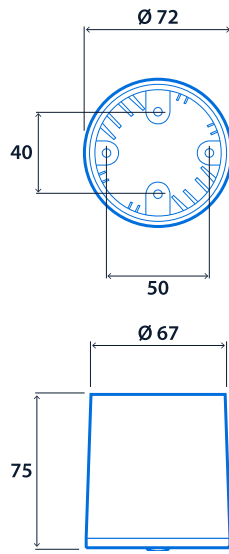
UKCA Yes CE Yes

## Dimensions

### Recessed Version



### Surface Version



**Click or scan here**  
View Eco PIR variants using  
our online filtering tool



Information is correct as of 22-Jan-2025, however must not be interpreted as a guarantee of individual product performance and/or characteristics. We reserve the right to alter specifications and designs without prior notice.