

Adjustable emergency twin head spotlights for open areas

The new Duo-Spot is an adjustable 2 x 4.5 W LED twin head emergency light with narrow and wide beam options. It uses long life LiFePO4 cells and the latest high power LEDs.

Applications: Ideally suited for use in areas where more conventional methods of emergency lighting are not practical.

- 3 hour, non-maintained operation
- Available with narrow (29°) or wide (63°) beam
- Adjustable lamp heads
- Suitable for wall or ceiling mounting
- Simple to install, full status reporting SmartScan wireless communication versions



Up to IP65

0 LL/CW

Lighting management

Emergency system	AutoTest Emergency SmartScan Emergency Standard Emergency
------------------	---

Specification

Mounting	Surface	IP rating	Up to IP65
----------	---------	-----------	------------

Emergency data

Emergency Lumen Output	2 x 585 lm	Emergency type	Non-maintained
Emergency duration	3 hours	Battery specification	Lithium Iron Phosphate (LiFePO4)

Power

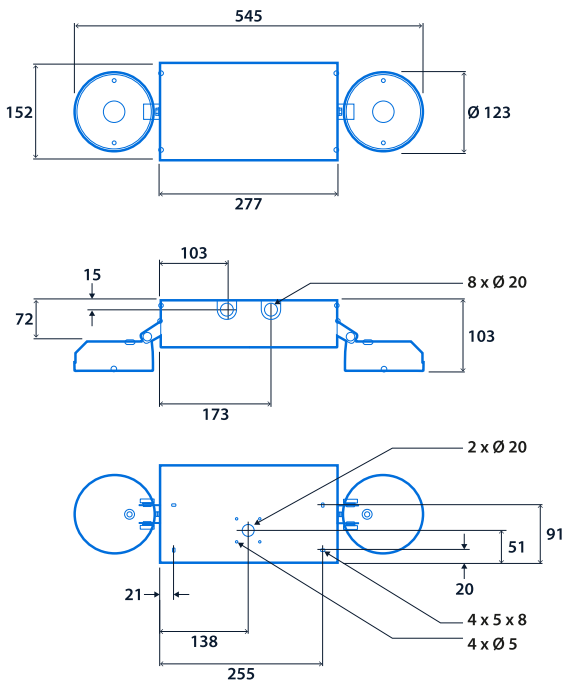
LED Power (Multiple)	2 x 4.5 W	Circuit power	2.5 W
----------------------	-----------	---------------	-------

Compliance

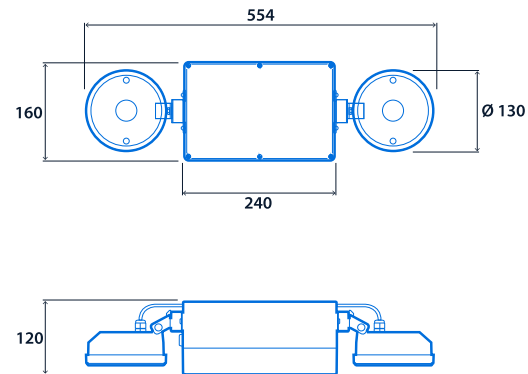
UKCA	Yes	CE	Yes
SmartScan wireless standards compliance	Europe: EN 300 220-1 V2.4.1/ EN 301 489-3 V1.6.1. Australasia: ACMA 2014 Radio Communication Standard 2014. Thorlux Patented Wireless Technology - GB2575724		

Dimensions

IP20 version



IP65 version



Spares

Product code	Description	Weight
EMB904	Lithium Iron Phosphate (LiFePO4) battery - End of life batteries can be returned to Thorlux for recycling	0.55 kg



View the range

