

Circular anti-ligature surface LED luminaires

Circular surface anti-ligature and impact-resistant luminaires. Satin polycarbonate cover secured via spun aluminium bezel using tamper-resistant pin Torx screws.

- Strong high-pressure die-cast LM2 aluminium body and cover frame
- High efficiency fire-retardant satin polycarbonate diffuser
- SmartScan wireless technology removes the need for control cabling. Ideal for retro-fit



IP66
IK10
103.5 LL/CW
SMARTSCAN
LUXGUARD

Specification

| | | | |
|---------------|---------|-------------------------------|------|
| Mounting | Surface | IP rating | IP66 |
| Impact rating | IK10 | Max presence detection height | 4 m |

Lighting

| | | | |
|----------|----------------|--------------|----------|
| Optic | Satin diffuser | Lumen output | 2,070 lm |
| Efficacy | 103.5 LL/CW | | |

Emergency data

| | | | |
|------------------------|---------|-----------------------|-----------------------------|
| Emergency lumen output | 290 lm | Emergency type | Maintained |
| Emergency duration | 3 hours | Battery specification | Nickel Metal Hydride (NiMH) |

Power

| | | | |
|-----------|------|---------------|------|
| LED power | 16 W | Circuit power | 20 W |
|-----------|------|---------------|------|

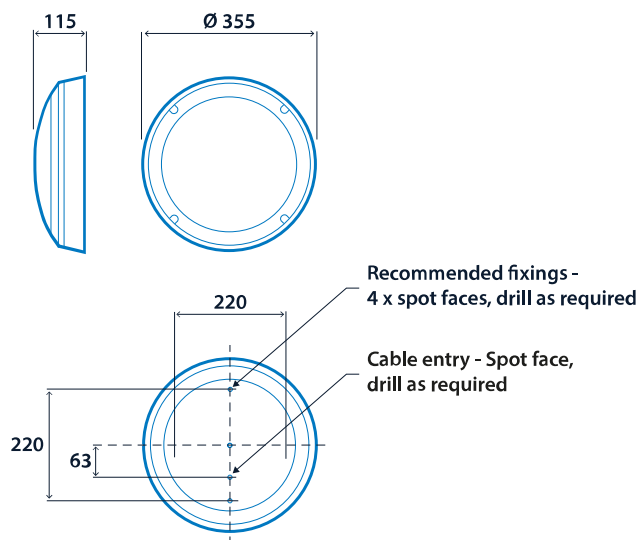
LED characteristics

| | | | |
|--------------------|-----------------|--------------------|--------|
| CRI | 80+ | Colour temperature | 4000 K |
| Rated life (hours) | 100 K - L80/B10 | | |

Compliance

| | | | |
|-------------------------|---|----|-----|
| UKCA | Yes | CE | Yes |
| Energy efficiency class | This product contains a light source of energy efficiency class B | | |

Dimensions





Click or scan here

View Cobalt AL variants using
our online filtering tool



Information is correct as of 22-Jan-2025, however must not be interpreted as a guarantee of individual product performance and/or characteristics. We reserve the right to alter specifications and designs without prior notice.